

SEZ[®]
DOLNÝ KUBÍN

DISTRIBUTION BOXES

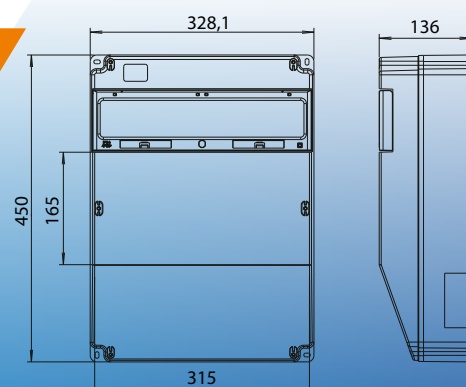
NEWS

- MCB/RCD-protected
- Non-protected – prewired

ROS 16 IP54 and IP66

PARAMETERS:

- Low voltage distribution on-wall boxes from highly durable ABS material with extra thick walls (4 mm), IK10
- MCB/RCD-protected
- Non-protected – prewired
- Pre-injected recessed holes for cable glands M25; M32; M40; M50
- Self extinguishing: 650° C - resistant against overheating and burning
- Ingress protection degree available in IP54 and IP66
- In compliance with EN 61439-1,- 3



ADVANTAGES:

- The most compact design in 16 modules series of distribution boxes on the market (H x W x D = 450 x 328 x 136 mm) with ergonomically sloped surface
- Available in combinations with CEE 63 A sockets, 63 A main switch or 63 A panel plug for mutual looping facility of more ROS 16 on the site
- 63 standard combinations kept on stock and over 2400 combinations of inlets, outlets and MCB/RCD protection available on request
- Suitable for construction sites, industrial distributions and residential buildings

SEZ DK a. s., M. R. Štefánika 1831/46
026 19 Dolný Kubín, Slovakia
Tel.: +421 43 5809 226; +421 43 5809 258
e-mail: sales@sez.sk

MEMBER OF **FPD**

WWW.SEZ.SK